

# Z20

## Disturbance Sensor

The Z20 Disturbance Sensor heightens perimeter security through intelligent detection of vibration or movement of the fence structure. Alarms are generated when disturbance meets predefined criteria.

**The Z20 Disturbance Sensor provides perimeter detection suited to a wide range of security applications. From multi-technology, layered, security solutions which are fully integrated with Gallagher Command Centre, to simple perimeter systems requiring an uncomplicated form of detection, the Z20 Disturbance Sensor provides superior security detection.**

### Features and benefits:

- Cost effective - sensors can retrofit to existing structures.
- Compatible - works with both electric and non-electric fencing systems.
- Highly configurable - adjustable sensitivity allows for user-defined detection parameters which can be individualized for each sensor.
- Intelligent - high integrity detection with low nuisance alarm rates.
- Simple - quick and easy installation, sensors fit to both curved and flat surfaces, low maintenance.



### Advanced alarm processing software

Alarm processing software for the Z20 Disturbance Sensor eliminates the impact of environmental factors, including changes in temperature, structural noise, or disturbances caused by weather. Detection parameters are user defined to achieve the best balance between probability of detection and nuisance alarm rate.

- Parameters on individualized sensors account for differences within the structure and localized sensitivities.
- Sensors can be uniquely identified so event locations are quickly pinpointed.

### Configurable parameters

The following parameters are configurable within Command Centre for Z20 Disturbance Sensors:

- Dynamic threshold
- Tilt threshold
- Dynamic count threshold
- Dynamic hold time
- Dynamic memory length
- Maximum event count
- Alarm latch duration

Contact your Gallagher representative to find out more about the configurable parameters of the Z20 Disturbance Sensor.

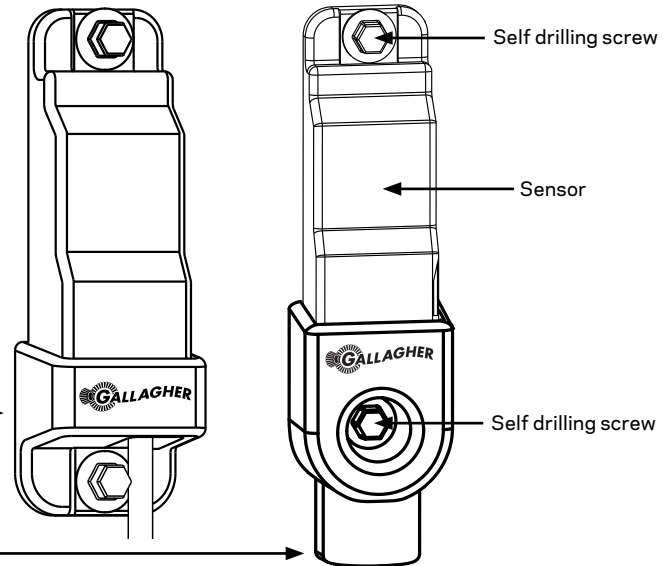
## Applications:

The Z20 Disturbance Sensor can be installed on structures and objects including:

- Gallagher Electric Security Fences
- Fences
- Walls
- Cladding
- Safes
- Vaults
- Rooftops
- Ceilings
- Statues
- Paintings

**Mount Clamp G12914**  
Included with sensor as standard.

**Conduit Clamp G12918**  
Optional product that provides additional protection to the cable by allowing 20mm conduit to be used.



## Technical Specifications

### PART NUMBERS

<b>G12915</b> Z20 Disturbance Sensor	<b>G12918</b> Conduit Clamp	<b>G12916</b> Conduit Clamp (Pack of 10)
<b>G12917</b> Z20 Disturbance Sensor + Conduit Clamp (Pack of 1)	<b>G12914</b> Mount Clamp	

### GALLAGHER Z20 DISTURBANCE SENSOR

Dimensions (W x H x D)	40mm x 119mm x 24mm (1 5/8" x 4 3/4" x 1")
Mount	Mounted using Mount Clamp and 2 screws (included with sensor) at 103mm (4 1/16") pitch
Colour	Matte black and charcoal
Voltage	10 - 24 VDC
Current	9.5mA
Operating temperature	-20° to +70°c (-4° to +158°F)
<b>INTEGRATION</b>	
Gallagher Command Centre	Version 6.02 or later
Controller support	Gallagher Controller 6000
Number of sensors per Controller	Up to 64 (32 per communication line)

### SYSTEM COMPONENTS

C30010X	Controller 6000
G10517	Gel-filled Wire Crimp Connector
G10520	Wire Splice External Shell
G10600	Cat 5e External Cable
G12812	A10 (Z20 Sensor programmer)
G12810	C10 Controller
G10516	Wire Splice Connector 3-Way Data

This product is approved by the Australian Government Security Construction & Equipment Committee (SCEC). Contact your local Gallagher representative for information.

### GALLAGHER WORLD HEADQUARTERS

Kahikatea Drive, Hamilton 3206  
Private Bag 3026, Hamilton 3240  
New Zealand

**TEL:** +64 7 838 9800

**EMAIL:** security@gallagher.com

### REGIONAL OFFICES

New Zealand.....	+64 7 838 9800
Americas.....	+1 877 560 6308
Asia .....	+852 3468 5175
Australia .....	+61 3 9308 7722
India .....	+91 80 2676 2084
Middle East.....	+971 4 2602145
South Africa .....	+27 11 974 4740
United Kingdom / Europe.....	+44 2476 64 1234

**DISCLAIMER:** This document gives certain information about products and/or services provided by Gallagher Group Limited or its related companies (referred to as "Gallagher Group"). The information is indicative only and is subject to change without notice meaning it may be out of date at any given time. Although every commercially reasonable effort has been taken to ensure the quality and accuracy of the information, Gallagher Group makes no representation as to its accuracy or completeness and it should not be relied on as such. To the extent permitted by law, all express or implied, or other representations or warranties in relation to the information are expressly excluded. Neither Gallagher Group nor any of its directors, employees or other representatives shall be responsible for any loss that you may incur, either directly or indirectly, arising from any use or decisions based on the information provided. Except where stated otherwise, the information is subject to copyright owned by Gallagher Group and you may not sell it without permission. Gallagher Group is the owner of all trademarks reproduced in this information. All trademarks which are not the property of Gallagher Group, are acknowledged. Copyright © Gallagher Group Ltd 2015. All rights reserved.

